



Caliper mid size

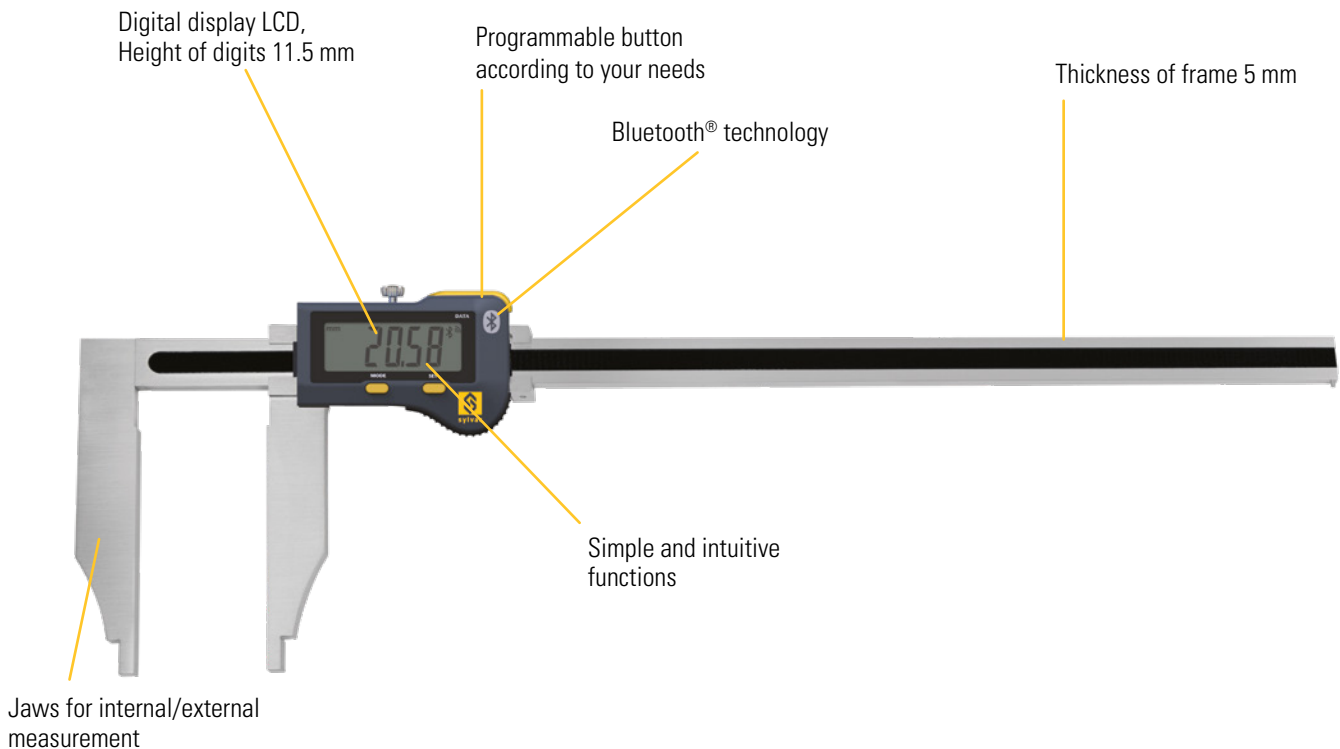
S_Cal EVO Form E

DESCRIPTION

MID SIZE CALIPER R5

- High-quality, ergonomic caliper with integrated Bluetooth® system
- Equipped with long, 100 mm long beaks with a clear end, enabling both external and internal dimensions to be measured from 10.1 mm upwards.
- Hardened and ground stainless steel rod 5 mm thick
- New extra-large display unit with 11.5 mm high digits
- Convenient push button for sending data that can also be programmed with another function
- Memorising the home position even when the instrument is switched off
- Measuring range 300 mm
- Protection class IP67

C



ISO 13385-1



Mid size caliper



* SIS description on page 5

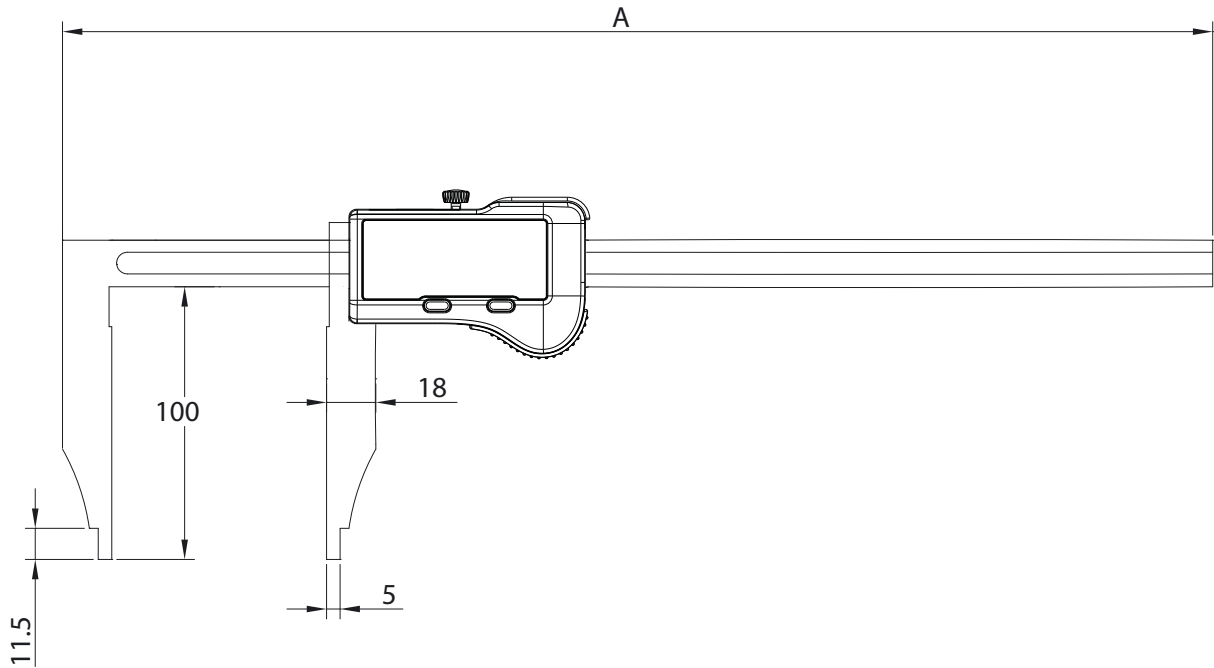


Caliper mid size

S_Cal EVO Form E

DIMENSIONAL DRAWING

MID SIZE CALIPER R5



C

TECHNICAL SPECIFICATIONS

		810-1546
Measuring range	mm	300
Accuracy	mm	0.03
Resolution	mm	0.01
A	mm	425
Bar section	mm	17x5
Protection rating according to IEC 60529		IP67
Output data		Bluetooth® wireless technology*
Functions		Zero setting, Preset (max 999.99), mm/inch, Hold, Data
Smart Inductive Sensor		●

*** Up to 8 instruments connected per dongle #981-7100**